

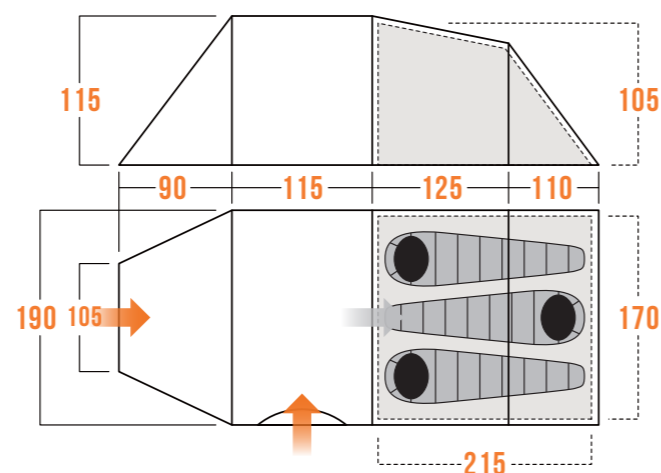


# EQUINOX 200

## PROTEX® ECO RIPSTOP

- Tunnel Tent Construction
- All-In-One Pitching
- PowerLite Alloy Poles
- Colour Coded Poles
- Protex® Eco Ripstop Flysheet
- Durable Polyester & Breathable Mesh Inner
- 70D PU Backed Polyester Groundsheet
- Bathtub Groundsheet
- TBS®II Tension Band System
- High Visibility Reflective Guylines
- High Grip Guyline Adjusters
- Lightweight Aluminium Alloy Pegs

 Ø22 x 48cm Pack Size	 4.96 kg Weight
 10 mins Pitch Time	 3 Person



## PROTEX® ECO RIPSTOP FABRIC

- 1 3000mm HH - Waterproof and easily cleaned.
- 2 Weight - 70g/m<sup>2</sup>.
- 3 68 Denier PU Backed Ripstop Polyester.
- 4 Fully Taped Seams.
- 5 Fire Retardant - Meets ISO5912 standards.

 2 year warranty with an extra 1 year when registering your product on [vango.co.uk/product-registration](http://vango.co.uk/product-registration)